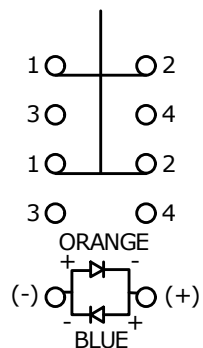
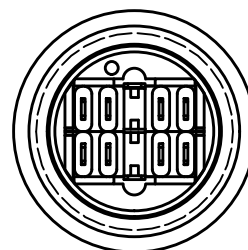
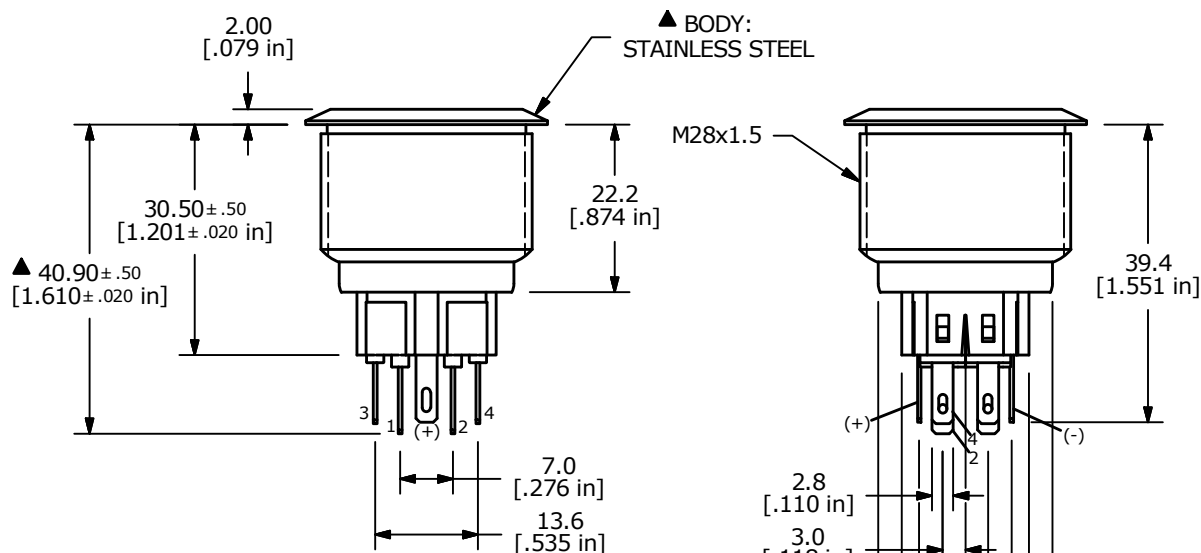


▲ SWITCH FUNCTION

POS. 1	POS. 2
1-2	3-4



▲ DPDT OFF-ON / ON-OFF CONTACT CONFIGURATION



- NOTE:
- ALL DIMENSIONS IN MM [INCH]
  - GENERAL TOLERANCE: X.X = ± 0.4  
X.XX = ± 0.25
  - TERMINAL NOS. FOR REF. ONLY
  - FUNCTION: DPDT
  - RATING: 2A @ 48VDC
  - CONTACT RESISTANCE: 50mΩ MAX. @ 1A 12VDC
  - INSULATION RESISTANCE: 1,000MΩ @ 500VDC
  - DIELECTRIC STRENGTH: 2,000VAC MIN. FOR 1 MINUTE
  - ELECTRICAL LIFE: 50,000 CYCLES
  - OPERATING TEMPERATURE: -20°C TO 55°C
  - INGRESS PROTECTION: IP66
  - SUPPLIED HARDWARE: O-RING AND HEXNUT
  - ▲ DENOTES CRITICAL PARAMETER
  - ILLUMINATION COLOR: ORANGE (FORWARD), BLUE (REVERSE)
  - ILLUMINATION VOLTAGE: 1.8V (FORWARD), 2.8V (REVERSE)



B	23838	UPDATED RATING TO IP66	4/8/19	MJR
A	23811	NEW RELEASE	3/15/19	MJR
REV	PCR NO	DESCRIPTION	DATE	BY

TITLE PV9F2U0SS-3L1				
SCALE 1:1	DATE 3/15/2019	DR MJR	DWG 52-PV9F2U0SS3L1	REV B